

CHARLES RENNIE MACKINTOSH
1900



MA34

Chair with frame in black lacquered ash. Seat upholstered in expanded foam covered in velour, fabric or leather.

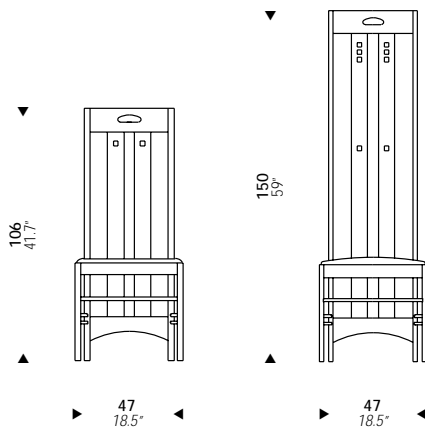
Sedia con struttura in frassino laccato nero e sedile imbottito.



MA64

Chair with frame in black lacquered ash. Seat upholstered in expanded foam covered in velour, fabric or leather.

Sedia con struttura in frassino laccato nero e sedile imbottito.



Matrix International Srl
Loc. Fosci - Largo Friuli, 2
53036 Poggibonsi (SI)
Tel. +39 0577 983838
Fax +39 0577 991523