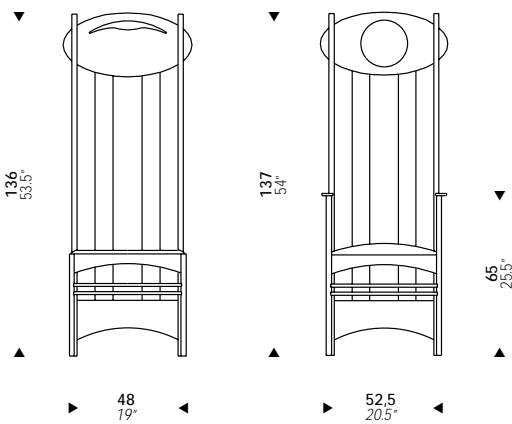
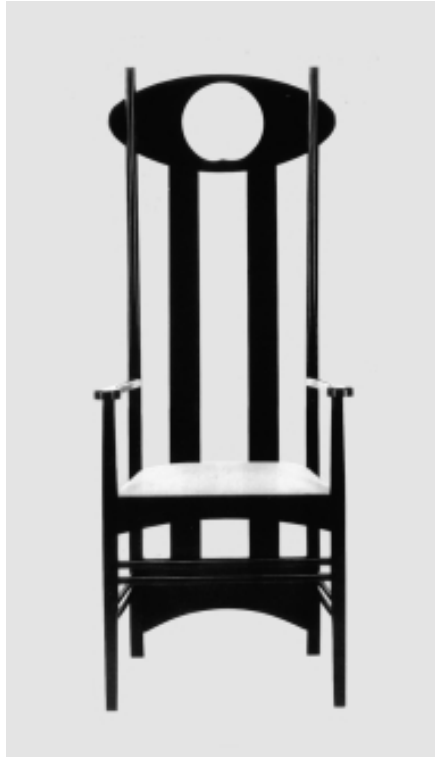


CHARLES RENNIE MACKINTOSH
1897-99

MA54
MA55

Chair and armchair with frame in black lacquered ash. Seat upholstered in expanded foam covered in velour, fabric or leather.

Sedie e poltrona con struttura in frassino laccato nero e sedile imbottito.



Matrix International Srl
Loc. Fosci - Largo Friuli, 2
53036 Poggibonsi (SI)
Tel. +39 0577 983838
Fax +39 0577 991523